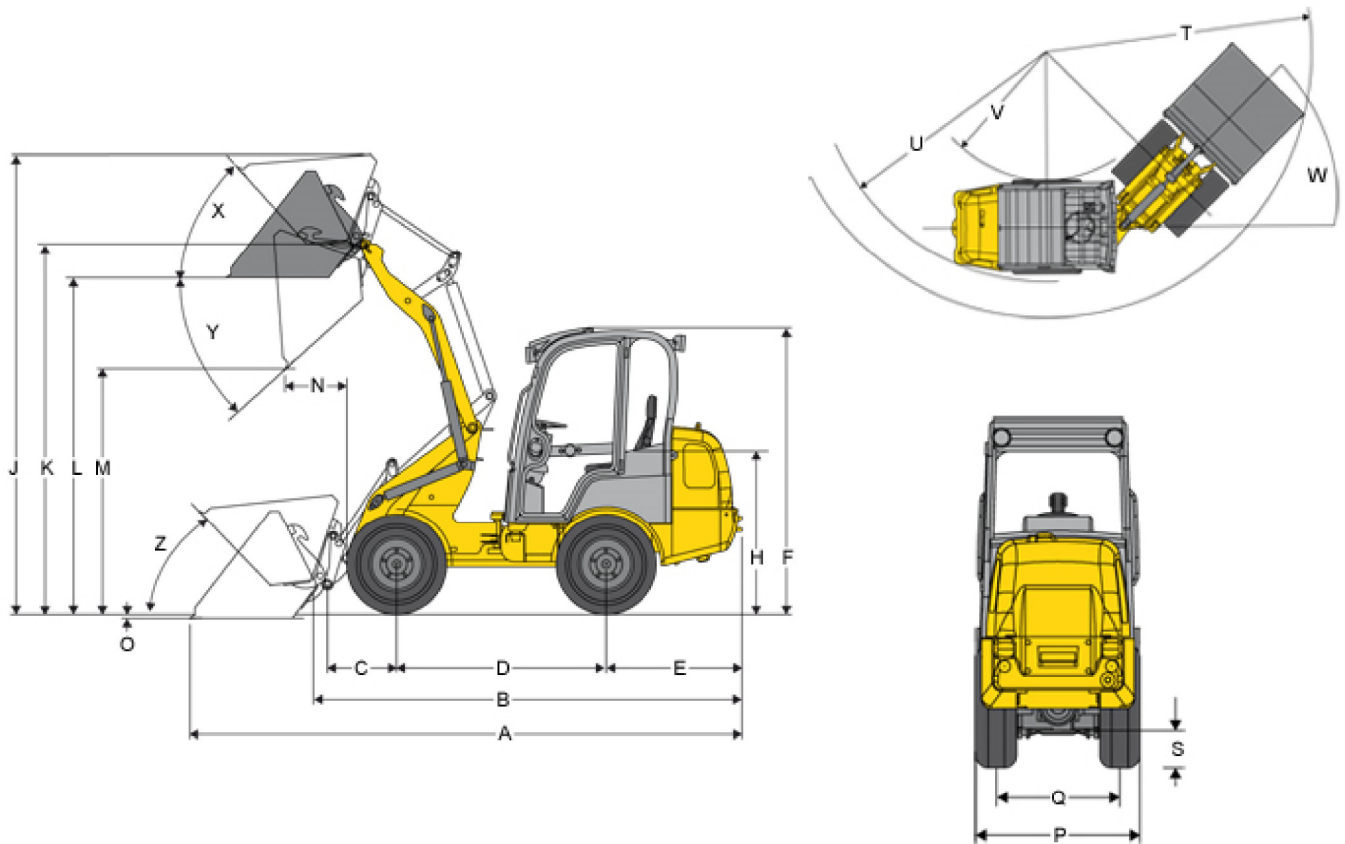




Dimensions



	Standard tires	12-16.5 EM ETO
<b>A</b>	Overall length	4,559 mm
<b>B</b>	Overall length without bucket	3,730 mm
<b>C</b>	Bucket pivot point to axle center	670 mm
<b>D</b>	Wheelbase	1,764 mm
<b>E</b>	Rear overhang	1,182 mm
<b>F</b>	Height With operator's canopy	2,287 mm
<b>F</b>	Height With fold-down operator's canopy (EPS)	2,387 mm
<b>F</b>	Height With fold-down operator's canopy (EPS), folded-down	1,870 mm
<b>F</b>	Height With cabin	2,297 mm



<b>H</b>	Seat height	1,255 mm
<b>J</b>	Total operating height	3,212 mm
<b>K</b>	Stroke height max. - bucket pivot point	2,560 mm
<b>L</b>	Overhead loading height	2,241 mm
<b>M</b>	Dump height max.	1,700 mm
<b>N</b>	Range with M	519 mm
<b>O</b>	Scraping depth	132 mm
<b>P</b>	Overall width	1,245 mm
<b>Q</b>	Track width	940 mm
<b>S</b>	Ground clearance	271 mm
<b>T</b>	Radius maximum	3,215 mm
<b>U</b>	Radius at outer edge	2,845 mm
<b>V</b>	Inside turning radius	1,554 mm
<b>W</b>	Articulation angle	44 °
<b>X</b>	Bucket rollback at max. stroke height	47 °
<b>Y</b>	Dump angle max.	41 °
<b>Z</b>	Bucket rollback at ground level	50 °

All values with standard bucket: Digging bucket 1,350 mm, 0.42 m<sup>3</sup> and standard tires: 12-16.5 EM ETO

**Please note**

that product availability can vary from country to country. It is possible that information / products may not be available in your country. More detailed information on engine power can be found in the operator's manual; the stated power may vary due to specific operating conditions.

Subject to alterations and errors excepted. Applicable also to illustrations.

Copyright © 2016 Wacker Neuson SE.