

Scan Combiflex 450

Users guide



SCANMASKIN

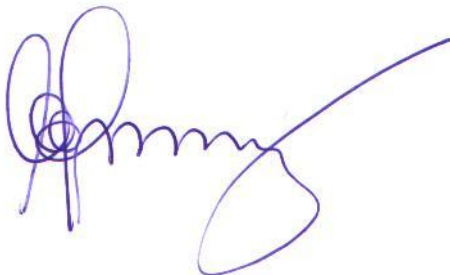
MACHINES-MINERALS-KNOW-HOW

<http://www.scanmaskin.com>

Dear Customer!

Thank you for choosing Scanmaskin as your supplier.
We wish you all the best with your new Scan Combiflex™ 450 and hope that it lives up to your expectations.

Scanmaskin Sweden AB



Claes-Göran Bergstrand
Managing Director

Address:
Scanmaskin Sweden AB
Box 187
SE-437 22 Lindome / Gothenburg
Sweden
Telephone: +46 (0) 31 99 49 70
Fax: +46 (0) 31 99 48 70
<http://www.scanmaskin.com/>

Important Information!

This User Guide only concerns the floor grinding machines “**Scan Combiflex 450**” hereby referred to as “**SC-450**”. SC-450 may only be used for grinding horizontal surfaces approved by Scanmaskin Sweden AB.

If SC-450 is used for other purposes or handled in ways other than that described in this User Guide, Scanmaskin Sweden AB disclaims all responsibility.

Especially note the section “**2 Safety Regulations**”. Read the User Guide before using the floor grinding machine SC-450. The spare parts, grinding discs used on SC-450 must be approved by Scanmaskin Sweden AB.

Table of Contents

1	Specifications	2
1.1	Electrical specifications	2
1.2	Mechanical specifications	3
1.3	Tools.....	4
1.4	Range of application	5
1.5	Scope of supply	5
1.6	Overview	6
2	Safety Regulations	8
2.1	Legend.....	8
2.2	Safety precautions	8
2.3	Organizational measures	9
2.4	Personnel selection and qualification.....	10
2.5	Safety regarding operation of machine	10
2.6	Electrical safety.....	11
2.6.1	Cables.....	12
2.6.2	Using a generator	12
2.7	Definition of the “Safety off position”	12
2.8	Safety regarding maintenance	13
2.9	Safety regarding transport	13
2.9.1	Manual transport	13
2.9.2	Lifting	14
2.9.3	Inside vehicles.....	14
3	Transportation.....	15
3.1	Safety precautions	15
3.2	Manual transportation	15
3.3	Lifting.....	15
3.4	Separation of machine.....	15
3.5	Inside vehicles	16
4	Operation	17
4.1	Precautions	17
4.2	Machine functions.....	17
4.3	Control device SC-450.....	18
4.4	Start up	18
4.5	Stop	18
4.6	Control panel SC 450 NS	19
4.6.1	Water tank SC-450 NS	19
4.7	Start up the SC-450 NS	20
4.8	Emergency stop / Reset SC-450 NS.....	20
4.9	Stop the SC-450 NS	20
4.10	Grinding speed SC-450 NS	20
4.11	Rotation direction SC-450 NS.....	20
4.12	Safety off position	21
4.13	Grinding.....	21
4.14	Changing tools.....	21
5	Maintenance.....	22
5.1	Precautions	22
5.2	Daily inspection prior to operation	22
5.3	Maintenance and inspection list	22

5.4	Grinding disc replacement / assembly	23
5.5	Cleaning the machine	23
5.6	Trouble shooting	23
5.6.1	Common faults.....	23
5.6.2	Error codes SC-450 NS.....	24
6	Spare parts.....	25
6.1	Gear barrel.....	25
6.2	Center axis.....	26
6.3	Spindel axis	27
6.4	Grinding head.....	28
7	Warranty	29
8	EU Declaration	30
9	Alphabetical reference	31
10	Contact information	32

1 Specifications

The SC-450 is available with different power inputs. This is described in the different sections later on in this chapter.

1.1 Electrical specifications

To find the specifications that apply to your machine, check the information plate on the machine.



Never connect the SC-450 to any other voltage or number of phases than described in this specification.



The power source must be fused according to “External fuse” in this specification; also the cables used must be marked and rated in accordance with the fuse used. Failure to comply with the correct fuses may cause fire or injuries.

Power choice ¹	230 V 1~ ²	230 V NS	110 V 1~
Power	1.5 kW (2 hp)	2.2 kW (3 hp)	1.5 kW (2 hp)
Current	8.7 A	12.9 A	18.5 A
Voltage	200 – 240 V 1~	200 – 240 V 1~	100 – 130 V 1~
Frequency	50 Hz +/- 5%	50 Hz +/- 5%	60 Hz +/- 5%
External fuse³	10 A	13 A	20 A
Power inlet⁴	CEE 7/7 – 250V 16A + PE	CEE 7/7 – 250V 16A + PE	NEMA 5-20 – 125V 20A + PE

Table 1-1 Electrical specifications

All models are CE-marked.



If using a generator see “2.6.2 Using a generator”

¹ This refers to different power choices. Note that a SC-450 made for one choice of power must be used with the particular choice.

² Standard

³ Maximum current for the fuses used in the power source (*i.e. the distribution box*).

⁴ This is the standard inlet used. Machines sold outside of EU will be shipped either with a local standard inlet or an adapter.

1.2 Mechanical specifications

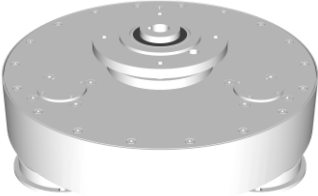
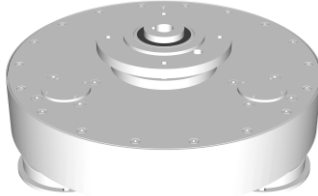
Model	SC-450	SC-450 2,2 NS / 2.2kW
Grinding diameter	450 mm 17.7"	450 mm 17.7"
Grinding plate diameter	150 mm 5.9"	150 mm 5.9"
Grinding plate speed	950 rpm	950 rpm
Mass	90 kg 198 lbs	100kg 220 lbs
Gear barrel	Free running 	Free running 

Table 1-2 Mechanical specifications

Dimensions of SC-450

Width	460 mm	18.1"
Height	1030 mm	40.6"
Depth	810 mm	31.9"

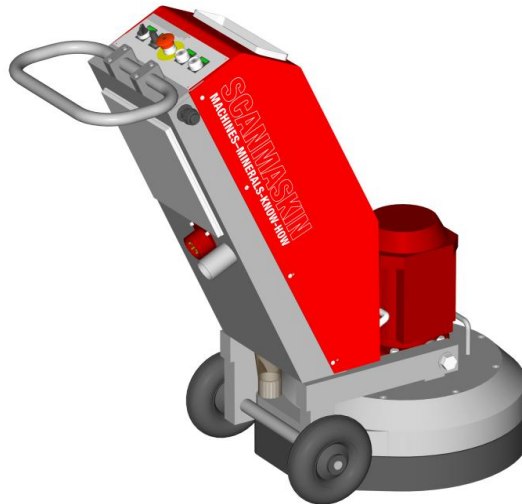
Dimensions of shipping box

Width	610 mm	24.0"
Height	1430 mm	56.3"
Depth	810 mm	31.9"

Ambient temperature during operation	-20°C to +40°C	-4°F to 104°F
Ambient temperature during storage	-20°C to +70°C	-4°F to 158°F



Figure 1-1 Standard SC-450



Figur 1-2 SC-450 NS

1.3 Tools



The machine must be equipped with tools approved by Scanmaskin Sweden AB before operation.



See “Grinding guide” for information about available tools and “4.14 Changing tools” for information about how to change the tools.

The tools are fitted using the Scan-On system for easy fitting

Available tools

- Diamond tools
- SC-Tiger PCD
- Sand paper

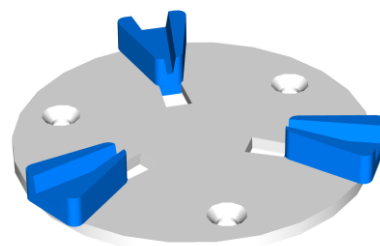


Figure 1-2 Scan-On plate with tools fitted.

1.4 Range of application



SC450 is exclusively designed to process horizontal surfaces. SC450 must not be used for other purposes than stated in this user guide. The manufacturer will not be liable for damage or injury resulting from incorrect usage of SC450. Failure to follow the directions in this user guide will void the warranty.

Typical applications

- Removal of old coatings, carpets, putty from hard surfaces
- Removal of undulated concrete surfaces
- Preparation of the surface for coatings
- Polishing of the surface
- Removal of coating defects
- Removal of glue residues

SC-450 is recommended from small to medium sized work sites.

1.5 Scope of supply

The following parts are included with the standard SC-450 grinding machine:

- User Guide
- 5 mm hexagon socket key

Machines sold outside of Europe will be either equipped with a local standard connector for the power inlet or the mating connector will be included and fitted at the main power inlet.



Read “2.6 Electrical safety” before connecting any included connectors.

1.6 Overview

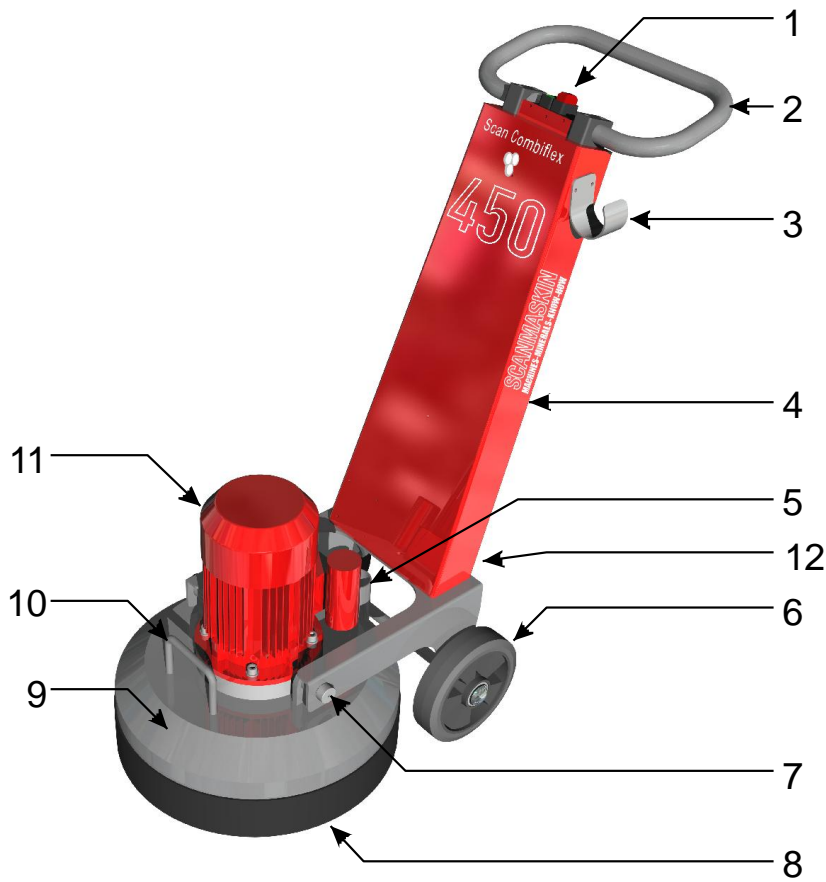


Figure 1-3 SC-450 overview

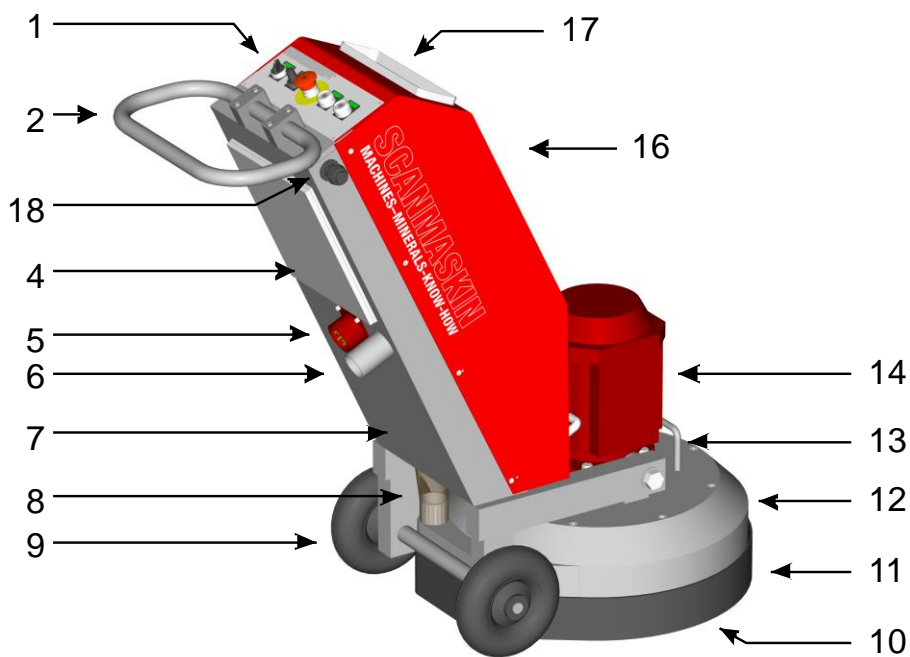


Figure 1-4 SC-450NS overview

Item	Description	Reference
1	Control device	<i>4.3 Control devic</i>
2	Handle	
3	Dust collector hose holder	
4	Frame	
5	Dust collector outlet	
6	Wheel	
7	Pin	
8	Dust cover	
9	Grinding head	<i>4.14 Changing tools</i>
10	Lifting handle	<i>3.3 Lifting</i>
11	Motor	<i>1.2 Mechanical specifications</i>
12	Connector motor - frame	
13	Control panel	
14	Handle	
15	Electrical cabinet	
16	Power inlet	
17	Dust collector connection	
18	Frame	
19	Dust hoses	
20	Wheels	
21	Gear barrel	
22	Dust cover	
23	Cover	
24	Lift handle	
25	Motor	
26	Cover	
27	Water tank	






Table 1-3 Machine parts overview

2 Safety Regulations



Read this entire chapter carefully! Failure to comply with safety regulations may result in serious injuries or damages.

2.1 Legend

	Notation regarding safety
	Notation regarding electrical safety
	Notation regarding safety during transport
	Tipping hazard
	See reference

2.2 Safety precautions



Any machine, if it is not used according the regulations, may be hazardous for operating, setting-up and service personnel. The operating authority is responsible for compliance with the safety regulations during operation and maintenance, and for the use of safety devices supplied with the machine, as well as the provision of appropriate additional safety devices!

Eye and ear protection must be worn at all times.

Never operate the machine when it's not in its upright position.

Make sure there is no debris in the work area.

Check the work area for screws or other hard objects in the concrete. Don't use the machine if there are any foreign objects stuck into the surface. Such objects must be removed prior to operation of machine.



Read “2.3 *Organizational measures*” and “2.5 *Safety regarding operation of machine*” thoroughly before operation!

2.3 Organizational measures



The user guide is to be kept near the location where the machine is being operated and must be within reach at all times.

In addition to this user guide general and legal regulations regarding accident prevention and environmental protection must be complied with as per local regulations.

Such duties may, for example, relate to the handling of hazardous substances, or to the provision and wearing of personal protection equipment, as well as compliance with traffic regulations.

The user guide must be supplemented by other instructions, including the duty to supervise and report incidents relating to particular working practices, for example work organization, work procedures and personnel safety.

Personnel entrusted with working with the machine must read the User Guide before starting work, in particular the “2 *Safety Regulations*” chapter. To read these instructions after work is commenced is too late. This particularly applies to incidental activities such as setting up the equipment, carrying out maintenance work or training staff to work with the machine.

From time to time the working practices of the operators are to be checked by a supervisor especially to the items regarding awareness of safety and hazards.

Operators must tie back long hair, and not wear loose clothing or jewelry including rings. There is a risk of injury through items getting caught, or being drawn into moving machinery.

Eye and ear protection must be worn at all times!

Use personnel protection equipment if necessary or required by local regulations! Take notice of all safety and hazard notices on the machine!

All safety and hazard notices at or on the machine must be kept complete and legible!

If safety-critical changes occur to the machine or its working method, the machine must be shut down immediately! The cause of the fault must be established, and rectified.

Changes, add-ons or conversion to the machine, which might impair safety, must not be made, without the manufacturer’s permission!

This applies in particular to the fitting and adjustment of safety devices.

Spare parts must comply with the technical requirements specified by the manufacturer. This is always guaranteed if original spare parts are used.

Intervals for recurring checks and inspections specified in this User Guide must be complied with!

To perform maintenance work correctly it is imperative to be equipped with the proper tools for the task in question.

Repairs may only be made by Scanmaskin Sweden AB certified service technicians.

Some grinding work may generate sparks under certain circumstances. Personnel working with the machine must therefore be aware of the risk of fire and how to handle a fire situation properly.

Do not use the machine in areas with highly flammable and/or explosive materials.

2.4 Personnel selection and qualification

Fundamental duties:

- Work with the machine may only be undertaken by trained personnel.
- Specify clearly the responsibilities of personnel for operation, setting up, servicing and maintenance work!
- Make sure that only authorized personnel operate or work with the machine!
- Define responsibilities of the machine operator, with regard to traffic safety regulations, and inform him not to take instructions from third parties who may not be complying with the local safety requirements.
- Personnel, who are being trained to operate equipment, may only use the machine under constant supervision of an experienced person!
- Work on electrical equipment may only be undertaken by a skilled electrician or by trained persons under the supervision of a skilled electrician, as well as in accordance with the local electrical engineering regulations.

2.5 Safety regarding operation of machine



Do not allow any method of working that impairs safety!

Recognized official procedures have to be used to ensure the machine is operated in safe and best conditions.

Only operate the machine when all safety devices and related safety equipment are present and operational!

Check the machine visually for any damage and defects at least once a day.

In the event of operational malfunctions the machine must be shut down immediately and secured!

Secure the work area around the machine in public areas providing a safety distance of at least 10 m (3.3 ft) from the machine.

Faults must be immediately rectified.

Carry out the switch on, and switch off operations in accordance with this user guide.

Before switching on the machine make sure that no-one can be endangered when the machine starts up.

Never operate the machine when not in its upright position.

Do not switch off or remove the exhaust and or the ventilation devices whilst the machine is running!

All persons in the proximity of the machine must wear ear and eye protection as well as safety shoes. In addition the machine operator must wear close-fitting protective clothing.

Only use extension cables that are sized and marked in accordance with the overall power consumption of the machine and the valid VDE guidelines.



See “2.6 Electrical safety” for further information.

Make sure there is no debris in the work area.

Check the work area for screws or other hard objects in the concrete. Don't use the machine if there are any foreign objects stuck into the surface. Such objects must be removed prior to operation of machine

2.6 Electrical safety



The power source must be equipped fuses according to the table in “1.1 Electrical specifications”. All cables used must be marked and rated according to the fuses used. Never connect the machine to a power source that does not provide protective earth!

Work on electrical equipment may only be undertaken by a skilled electrician or by trained persons under the supervision of a skilled electrician as well as in accordance with the local electrical engineering regulations.

Use only extension cables, that are used for extending the main cable, that are sized and marked in accordance with the overall power consumption of the machine and the valid VDE guidelines.

The electrical equipment for the plant must be inspected regularly. Defects such as loose connections or scorched cables must be rectified immediately. Call a skilled electrician or out customer services.

A second person must be in attendance whilst the electrical engineer is working on the equipment.

The work area must be secured against any third party entering the work area. Follow local electrical engineering regulations while working on the machine. Never leave a machine unattended. Use only tools that are insulated against electricity.

Only start work after you are familiar with the electrical engineering regulations that apply to the local area.

Only use voltage seekers that comply with the regulations when troubleshooting. From time to time check voltage seekers to ensure that they are operationally efficient.

2.6.1 Cables



Only use cables that are marked and rated according to the specifications in “1.1 Electrical specifications”. Don’t use excessive length of the cables. If a very long cable is needed we recommend that you use a cable rated for more current and connect it to a distribution central near the machine. Never lay the cable in a loop when operating the machine, this will cause the cable to heat up and may cause fire. See “Figure 2-1” for explanation.

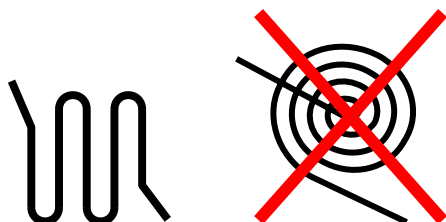


Figure 2-1 Recommended way to handle excessive cable length.

2.6.2 Using a generator



The generator must be equipped with protective earth and operated in accordance with the current EN-VDE directives (this applies to the protective earth conductor in particular) in order to ensure that all safety devices are functioning and eliminate possible damage to electrical components.

2.7 Definition of the “Safety off position”

The machine is in a safe condition where it cannot be any hazard.

How to set the machine in the Safety off position:

1. Switch off the machine
2. If a dust collector is used, switch it off
3. Wait for all drives to come to a complete stop
4. Disconnect the main power
5. Secure against unintended restart



Always disconnect the main power at the machine end to be able to prevent other persons from accidentally reconnect the main power while working on the machine.

2.8 Safety regarding maintenance

Set the machine into the Safety off position before beginning any work on the machine.



See “2.7 Definition of the “Safety off position””.

Never work on the machine while power is still connected!
All parts must have come to a complete stop before beginning any work!



When the machine is lying down on its back it might tilt to it's upwards position. Take extra care to prevent this from happening to ensure that no injuries or damages occur.



When the machine has been operated the segments, Scan-On plates and other parts on the gear barrel may be hot. Take extra care to prevent burn injuries.

Adjustment, servicing and inspection work on the period of time limits, specified in this User Guide as well as any information on the replacement or parts and equipment must be undertaken and/or complied with!

These activities may only be undertaken by qualified personnel.



The machine must not be connected to any power source while cleaning.



See “5.5 Cleaning the machine” for further information.

2.9 Safety regarding transport



Always remove the tools before transport. The tools may fall of or damage the surface the machine is transported along.

2.9.1 Manual transport



When transporting the machine manually be observant about ramps and/or edges. Follow local traffic regulations for the work site to prevent accidents. Failure to comply with these regulations may cause injuries or damages.

2.9.2 Lifting



The machine must be secured according to local safety regulations before lifted. No person is allowed beneath a lifted machine! The machine must be lifted according to the instructions in “3.3 Lifting”. Observe the machines point of balance before lifting! Failure to comply with these regulations may cause injuries or damages. Only use straps approved for the weight and circumstances!

2.9.3 Inside vehicles



Secure the machine according to local transport safety regulations before transporting the machine inside a vehicle.

3 Transportation

3.1 Safety precautions



Read “2.9 Safety regarding transport” before attempting to transport the machine.

3.2 Manual transportation

- Detach the tools according to the instructions in “4.14 Changing tools”.
- Tilt the machine backwards.
- Push the machine in desired direction.

3.3 Lifting



Before attempting to lift the machine, read “2.9.2 Lifting”

- Detach the tools according to the instructions in “4.14 Changing tools”.
- Fasten the straps used for lifting at the two handles as shown in “Lifting points SC-450 Figure 3-2”.
- Lift the machine.

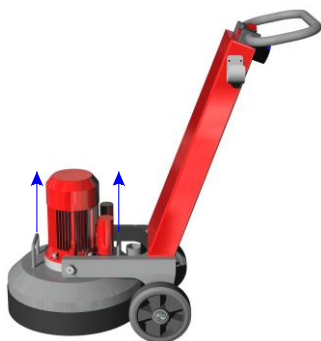


Figure 3-1 Lifting points SC-450

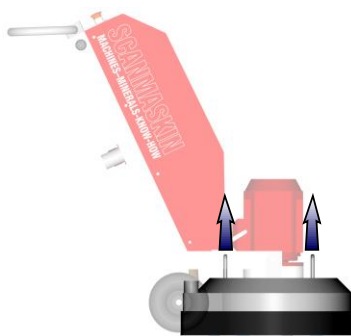


Figure 3-2 Lifting points SC-450 NS

3.4 Separation of machine

If the machine needs to be transported in a limited space it can be separated into two parts. On each side of the grinding head / motor assembly there is two pins, each fastened by a locking clip. To separate the machine, disconnect the motor cable; remove the locking clips and the pins. Take extra care to prevent the frame from falling backwards.

3.5 Inside vehicles

- Detach the tools according to the instruction in “4.14 Changing tools”.
- Secure the machine inside the vehicle.



Secure the machine according to local transport safety regulations before transporting the machine inside a vehicle. Failure to secure the machine may result in injuries or damages.

4 Operation

4.1 Precautions



Any machine, if it is not used according to the regulations, may be hazardous for operating, setting-up and service personnel. The operating authority is responsible for compliance with the safety regulations during operation and maintenance, and for the use of safety devices supplied with the machine, as well as the provision of appropriate additional safety devices!

Never operate the machine without proper tools.

Eye and ear protection must be worn at all times.

Never operate the machine when it's not in its upright position.

Make sure there is no debris in the work area.

Check the work area for screws or other hard objects in the concrete. Don't use the machine if there are any foreign objects stuck into the surface. Before operating the machine such objects must be removed.



Read "2 Safety Regulations" before operating the machine.

4.2 Machine functions

The gear barrel has got three grinding heads that rotate in the opposite direction of the gear barrel. Each grinding head is equipped with a Scan-on plate where each plate holds the tools used. See "Figure 4-1".



Figure 4-1 Illustrates the rotation of the grinding heads versus the gear barrel.



The machine is equipped with a thermal protection circuit that will shut down the machine in the event of high motor temperature. Wait at least 15 minutes before operating the machine again if this occurs.

4.3 Control device SC-450

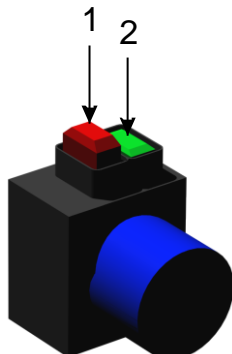


Figure 4-2 SC-450 control device

Item	Function	Description
1	Stop	Stops the SC-450
2	Start	Starts the SC-450

Table 4-1 Description of control device

4.4 Start up



See "4.1 Precautions" before starting the machine.

How to start the machine

- Make sure that the machine is equipped with the right "Scan on" tools.
- Make sure that the main power and hoses for the dust collector are connected to the machine.
- Turn on the dust collector if used.
- Push the handle downwards to lift the gear barrel about 10 cm (4") from the ground.
- Press the start button (2) on the control device.
- Lower the gear barrel down to the floor.
- Never let go of the handle during operation.

4.5 Stop

How to stop the machine

- Press the stop button (1)
- Wait until the machine comes to a complete stop before letting go of the handle
- If a dust collector is used, turn off

4.6 Control panel SC 450 NS




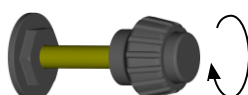
Figure 4-3 Control panel of SC-450 NS.

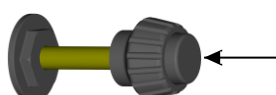
No.	Text	Description
1	L/R	Selects rotation direction
2	SPEED	Selects speed ⁵
3	EMERGENCY STOP	Emergency stop
4	STOP	Stops the machine
5	START	Starts the machine


Table 4-2 Description of the control panel.

4.6.1 Water tank SC-450 NS

 To increase the flow of the water turn the knob counter clockwise. The knob will move outwards.

 To decrease the flow of the water, turn the knob clockwise. The knob will move inwards.

 To quickly stop the water flow, push the button on the knob. This releases the knob and a spring will pull it inwards.

 Secure the knob by tighten it slightly to ensure that no water will flow.

⁵ The range of the speed selection knob is described in "1.2 Mechanical specifications".

To empty the water tank before lying down transport, increase the water flow to a maximum and let the water pour out. Make sure the tank is empty before lying down transport.

Empty the tank before long time storage.

4.7 Start up the SC-450 NS



See "4.1 Precautions" before starting the machine.

How to start the machine

- Make sure that the power plug and hoses for dust collector and water (if water supply is used) are connected to the machine.
- Turn on the dust collector if used.
- Push the handle downwards to lift the gear barrel about 10 cm (4") from the ground.
- Make sure that the "EMERGENCY STOP" is in its upper position.
- Press the "START" button on the control panel.
- Lower the gear barrel down to the floor.

4.8 Emergency stop / Reset SC-450 NS

Use the Emergency Stop button to quickly stop the machine to prevent an accident or injuries.

Reset procedure:

- Turn the Emergency Stop button clockwise to release it
- Press the Stop button

The machine is now ready to be started again.

4.9 Stop the SC-450 NS

How to stop the SC-450 NS machine

- Press the "STOP" button.
- Wait for the machine to come to a complete stop before letting go of the handle.
- Turn off the dust collector if used.

4.10 Grinding speed SC-450 NS

Use the "SPEED" dial to adjust the rotation speed of the grinding discs between the intervals described in chapter 1.

4.11 Rotation direction SC-450 NS

Use the "L/R" switch to change direction of the grinding discs. The machine will first do a soft stop then a soft start.

4.12 Safety off position

When working on the machine, either maintenance or tool change, the machine must be set to the “Safety off position”. See “2.7 Definition of the “Safety off position”” for further information.

4.13 Grinding

Refer to “Grinding guide” for instructions and information about grinding.

4.14 Changing tools



Before changing tools, read “2.8 Safety regarding maintenance”.

This illustration shows how to change the Scan-On tools.

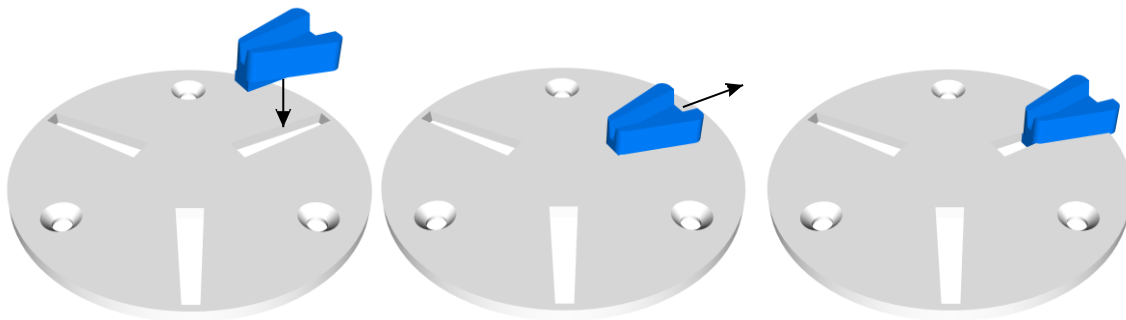


Figure 4-4 How to fit the diamond segments on the Scan-On plate

- Insert the segment at the widest part of the slot
- Push the segment outwards
- The segment is now fit on the Scan-On plate

To make sure that the segment is secured, use a small plastic hammer and slightly hit the segment outwards. In reverse this technique can be used to loosen segments that are stuck.

5 Maintenance

5.1 Precautions

Set the machine into the Safety off position before beginning any work on the machine.



See “2.7 Definition of the “Safety off position””.



Read “2.6 Electrical safety” before beginning any maintenance work.

Never work on the machine while power is still connected!

All parts must have come to a complete stop before beginning any work!



When the machine is lying down on its back it might tilt to it’s upwards position. Take extra care to prevent this from happening to ensure that no injuries or damages occur.



When the machine has been operated the segments, Scan-On plates and other parts on the gear barrel may be hot. Take extra care to prevent burn injuries.

Adjustment, maintenance and inspection work must be undertaken by qualified personnel.



The machine must not be connected to any power source while cleaning.

5.2 Daily inspection prior to operation

Inspect the following items prior to operation

- Inspect the wheels for damage.
- Inspect the grinding discs and hubs.
- Inspect the grinding head, dirt between the Scan-On plate and the grinding hub may lower the flexibility of the grinding head.
- If any screws appear loose, tighten them.
- Look over the machine for any other damage.

5.3 Maintenance and inspection list

Daily	<ul style="list-style-type: none">▪ Inspect the wheels▪ Inspect the grinding heads▪ Look for any other damage
12 hours after service	<ul style="list-style-type: none">▪ Tighten all screws

5.4 Grinding disc replacement / assembly

Follow these steps to replace the Scan-On plate

- Make sure the machine is in its “Safety off position”
- Tilt the machine backwards and secure it.
- Remove any tools used according to “4.14 Changing tools”.
- Loosen the three screws holding the Scan-On plate.
- Replace the Scan-On plate.
- It’s recommended that new screws are used to fasten the replacement Scan-On plate.
- It’s also recommended that copper paste is used on the surface of the screw hole at the Scan-On plate.
- Tighten all screws by hand and make sure that they are secured.

5.5 Cleaning the machine



Before starting to clean the machine, make sure it is in its “Safety off position”



The power must not be connected while cleaning the machine.

Do not use highly pressurized water to clean the machine.
Water and soap is recommended.

5.6 Trouble shooting

5.6.1 Common faults

Symptom	Cause	Correction	A ⁶
The machine won't start	<ul style="list-style-type: none"> ▪ There is a power failure from the power supply 	<ul style="list-style-type: none"> ▪ Inspect the fuses in the worksites fuse box ▪ Inspect cables ▪ Measure that all three phases are present and at full voltage near the machine 	O E E
The machine only operates while the start button is depressed	<ul style="list-style-type: none"> ▪ The motor is overheated 	<ul style="list-style-type: none"> ▪ Wait until the motor is cool again 	O
	<ul style="list-style-type: none"> ▪ The control device is damaged 	<ul style="list-style-type: none"> ▪ Replace the control device 	S
The machine is weak and might stop when on the ground.	<ul style="list-style-type: none"> ▪ There is a voltage drop at the power supply 	<ul style="list-style-type: none"> ▪ Inspect the fuses in the worksites fuse box ▪ Inspect cables ▪ Measure that the main voltage is present and at full voltage at the cable end near the machine. ▪ Make sure that the cable is not too long. If the cable should be too long, use a cable with higher rating to a distribution box nearer the machine. 	O E E O
The machine vibrates a lot	<ul style="list-style-type: none"> ▪ The grinding speed is to high 	<ul style="list-style-type: none"> ▪ Lower the speed 	O
	<ul style="list-style-type: none"> ▪ The tools are damaged 	<ul style="list-style-type: none"> ▪ Inspect the tools ▪ Change the tools if needed 	O O

5.6.2 Error codes SC-450 NS

Code	Description	Cause	Correction	A ⁷
A2001	Over current	<ul style="list-style-type: none"> ▪ One of the three phases is missing from the power supply ▪ There is a voltage drop at the power supply 	<ul style="list-style-type: none"> ▪ Inspect the fuses in the worksites fuse box ▪ Inspect cables ▪ Measure that all three phases are present and at full voltage at the cable end near the machine ▪ Make sure that the cable is not too long. If the cable should be too long, use a cable with higher rating to a distribution box nearer the machine 	O O E E
		<ul style="list-style-type: none"> ▪ The environmental temperature is too high. When the temperature is above 40°C (104°F) the inverter will decrease its maximum output current 	<ul style="list-style-type: none"> ▪ Inspect the ventilation fans ▪ Inspect the filters to the fans 	O O
A2002	Over voltage	<ul style="list-style-type: none"> ▪ The power supply has got voltage transients 	<ul style="list-style-type: none"> ▪ Inspect the power source 	E
A2003	Under voltage	<ul style="list-style-type: none"> ▪ One of the three phases is missing from the power supply ▪ There is a voltage drop at the power supply 	See A2001	
A2006	Speed reference error	<ul style="list-style-type: none"> ▪ The potentiometer on the control panel is damaged 	<ul style="list-style-type: none"> ▪ Inspect the potentiometer ▪ Replace if necessary 	S S
A2009	Over temperature	<ul style="list-style-type: none"> ▪ The internal temperature in the inverter is above 120°C (248°F). This could be caused by faulty ventilation in the electrical cabinet. 	<ul style="list-style-type: none"> ▪ Inspect the ventilation fans ▪ Inspect the filters to the fans ▪ Contact Scanmaskin Sweden AB 	O O
A5001	Internal error	Contact Scanmaskin Sweden AB		
F0001	Over current	See A2001		
F0002	Over voltage	See A2002		
F0003	Over temperature	<ul style="list-style-type: none"> ▪ The internal temperature in the inverter is above 135°C (275°F). This could be caused by faulty ventilation in the electrical cabinet. 	See A2009	
F0004	Short circuit in motor	<ul style="list-style-type: none"> ▪ The cable to the motor has been damaged ▪ The motor has been damaged 	<ul style="list-style-type: none"> ▪ Inspect the motor cable ▪ Inspect the motor connection ▪ Contact Scanmaskin Sweden AB 	E E
F0006	Under voltage	See A2003		
F0007	Speed reference error	See A2006		
F0016	Protective earth failure	<ul style="list-style-type: none"> ▪ The cable to the motor has been damaged ▪ The motor has been damaged ▪ Water have entered the motor 	<ul style="list-style-type: none"> ▪ Inspect the motor cable ▪ Inspect the motor connection ▪ Contact Scanmaskin Sweden AB 	E E
F0018	Internal error	Contact Scanmaskin Sweden AB		
F0021		Contact Scanmaskin Sweden AB		
F0022	Power supply phase fault	See A2003		
F0034	Motor phase fault	<ul style="list-style-type: none"> ▪ One of the three phases to the motor is missing. This could be due to damage to the motor cable or to the motor. 	<ul style="list-style-type: none"> ▪ Inspect the motor cable ▪ Inspect the motor connection ▪ Contact Scanmaskin Sweden AB 	E E

Table 0-1 Error codes

Alarm codes starts with “A” and fault codes starts with “F”. The machine will be operational if an alarm code is present but not when an fault code is present.

The following table describes the access for the task.

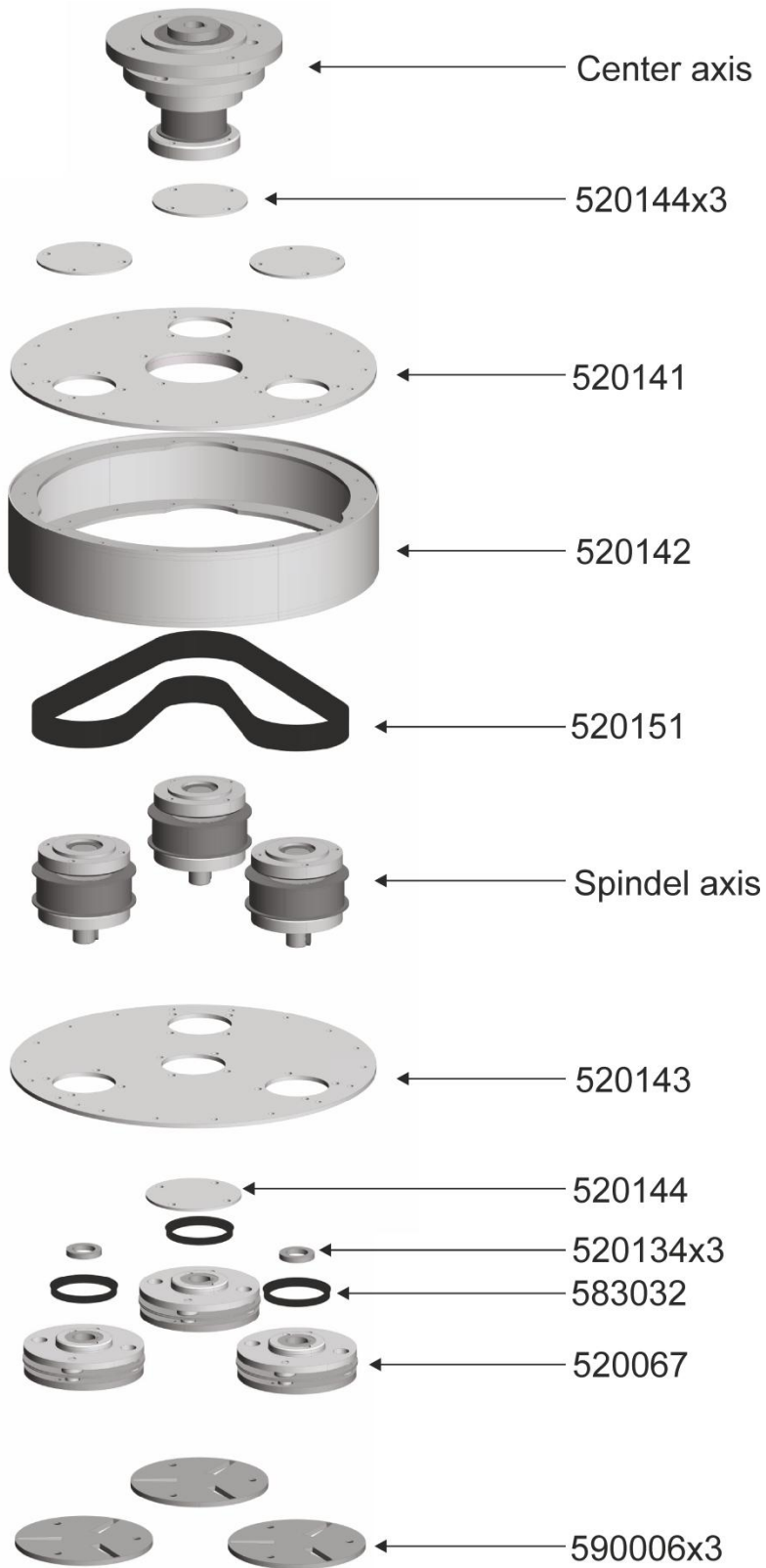
Abbreviation	Person
O	Machine Operator
E	Electrician
S	Scanmaskin certified service technician

Table 0-2 Access rights for different persons

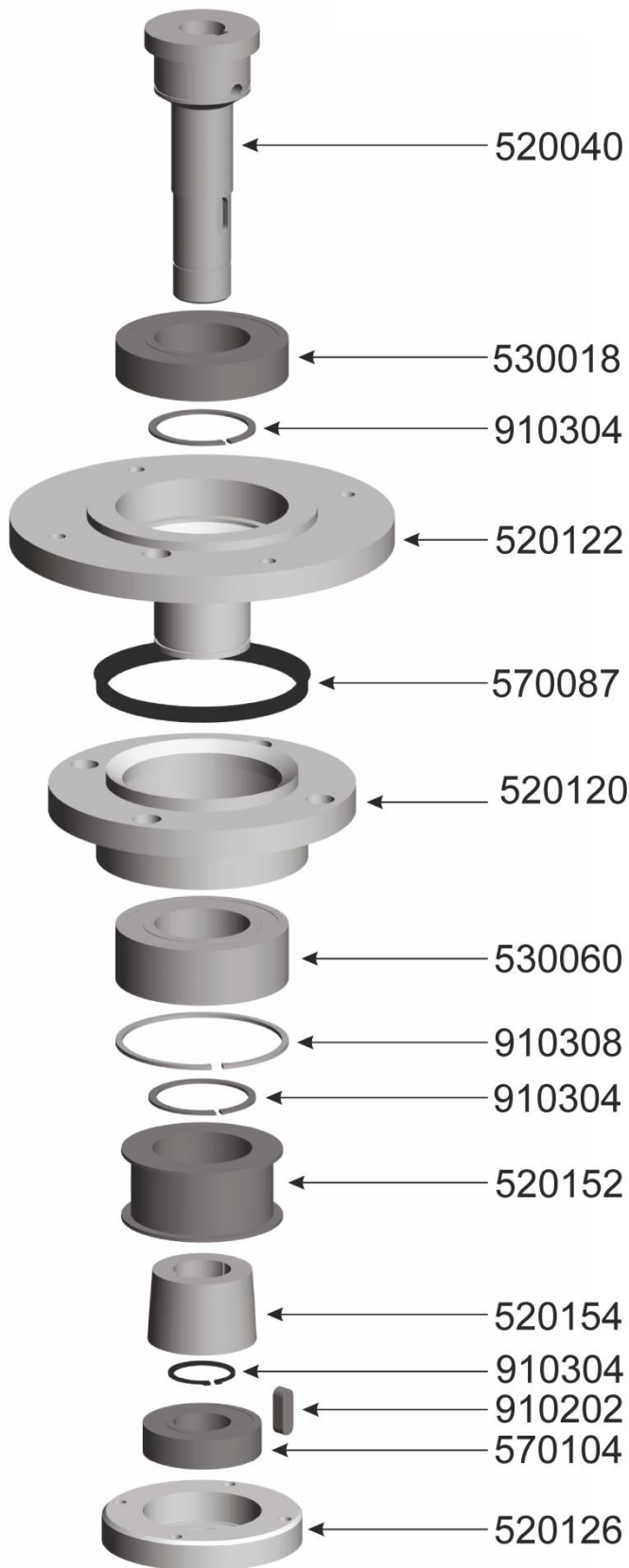
⁷ See access table ”Table 0-2”

6 Spare parts

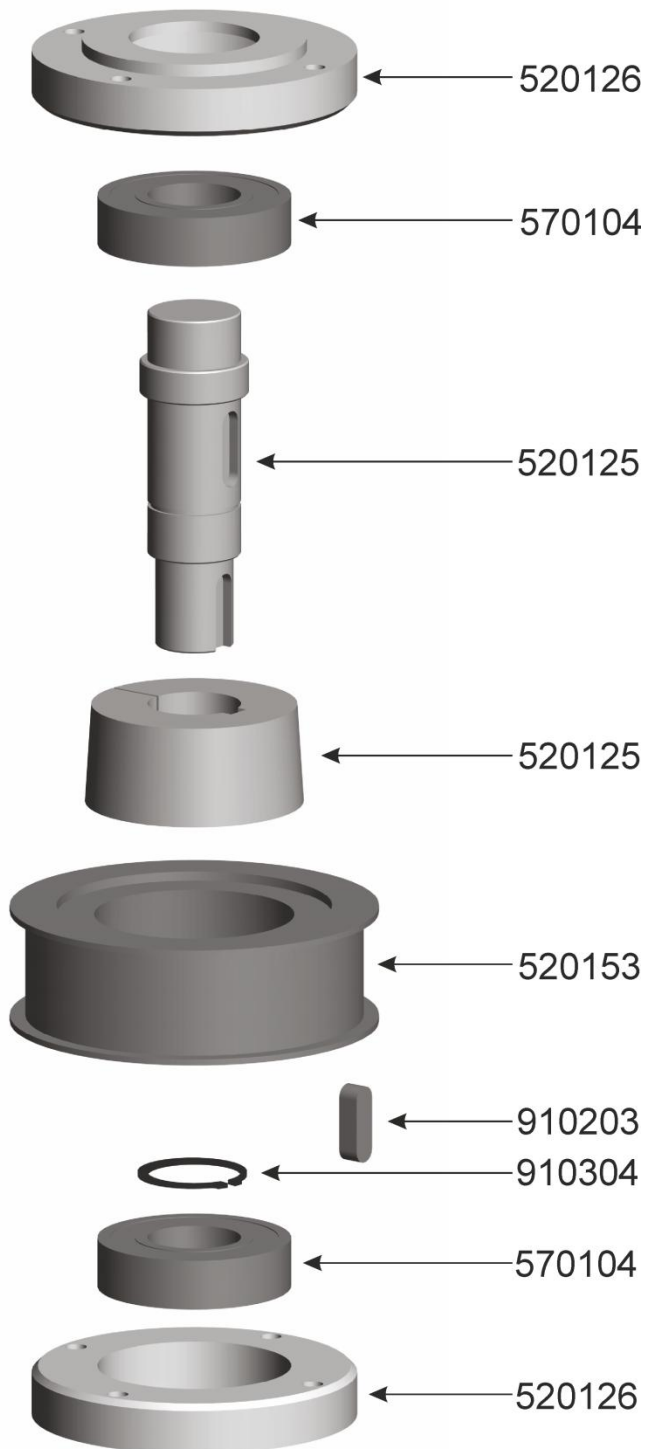
6.1 Gear barrel



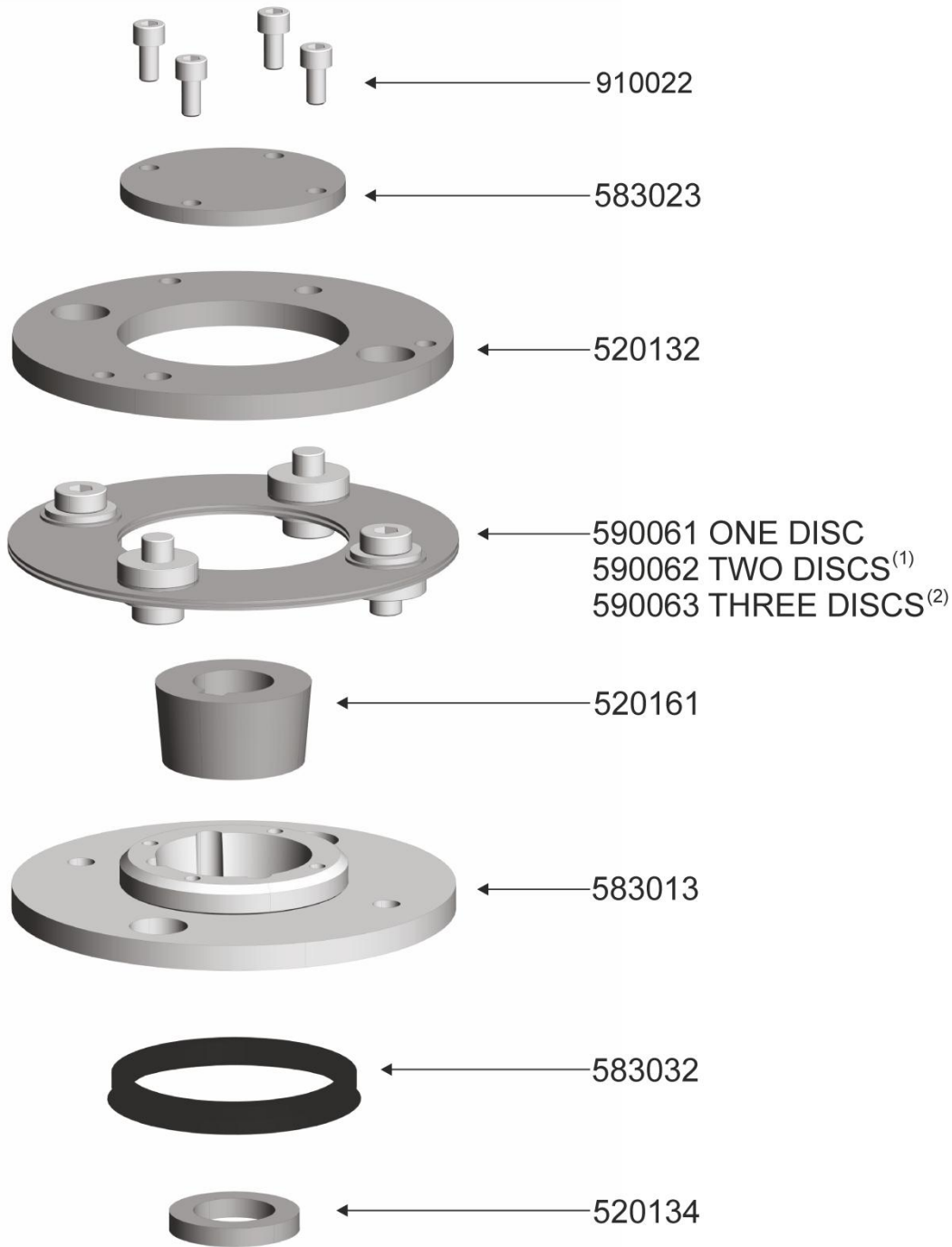
6.2 Center axis



6.3 Spindel axis



6.4 Grinding head



- (1). Standard SC-450
- (2). Standard SC-500

7 Warranty

This product from Scanmaskin Sweden AB comes with a twelve month warranty. If the product does not function satisfactorily during this period, Scanmaskin will return the product to full working order for normal use which the product is intended for – with no charge for labor or spare parts, according to the following conditions:

1. The warranty only applies to persons that have legal right to the equipment during the warranty period.
2. The manufacturer's undertaking is limited to the repair of defective parts or the replacement of these according to the manufacturer's assessment. Costs and risks for transport as well as dismantling and reinstallation of the product / products and other direct or indirect costs, associated with the repair in question, are not covered by this warranty.
3. Periodic inspections, adjustments, maintenance work and changes are not covered by the warranty.
4. Scanmaskin is not liable for any damages to grinding discs or other similar equipment.
5. The warranty only applies to material and design deficiencies and does not apply in the following cases:
 - a. Damage caused through accidents, carelessness, changes, use of spare parts or grinding tools that are not original components, or incorrect use and installation.
 - b. Damage caused by lightning, water, fire, vandalism, incorrect mains voltage, incorrect ventilation or other causes that lie outside of the manufacturer's control.
6. Scanmaskin reserves the right to modify the design – or make improvements without obligation to change previously manufactured products.
7. All warranty repairs must be carried out by Scanmaskin or by a Scanmaskin authorized repair workshop. Costs for repairs, carried out by an unauthorized workshop, will not be reimbursed by Scanmaskin. If such repairs damage this product these are not cover by the warranty agreement.

8 EU Declaration

Declaration of CE conformity

Manufacturer	Scanmaskin Sweden AB
Address	Heljesvägen 10 427 36 Lindome / Gothenburg Sweden
Product	Grinding machine
Product name	Scan Combiflex 450
Serial number	_____

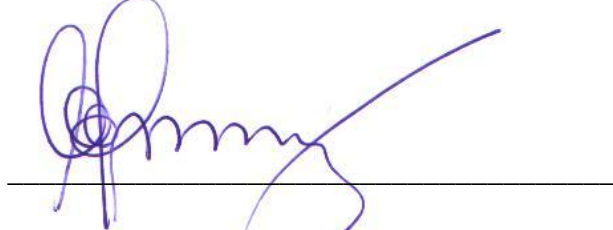
The product conforms with the following EU guidelines

Machine directives	2006/42/EG
EMC	2004/108/EG
LVD	2006/95/EG
Harmonized standards	EN ISO 13850 EN ISO 12100-1/-2 EN ISO 60204-1

Location of issue Lindome / Gothenburg / Sweden

Authorized representative Claes-Göran Bergstrand
Managing Director

Scanmaskin Sweden AB
2010-01-01



Claes-Göran Bergstrand
Managing Director

9 Alphabetical reference

C	
Contact information	32
Control device	18
Control panel.....	19
D	
Dimensions	
SC-450.....	3
E	
Error codes	24
EU Declaration.....	30
F	
Fuse	
External.....	2
I	
Inspection	
daily	22
Maintenance and inspection list	22
M	
Maintenance	
Access	24
Error codes	See Error codes
O	
Overview	
SC-450.....	6
S	
Separation of machine	15
Snap-On-plate	
replacing	23
Specifications	
Electrical	2
Start.....	18
Stop	18
T	
Tools	
Available tools	4
changing	21
Transport.....	15
lifting	15
manual.....	15
Trouble shooting	
common faults.....	23
V,W	
Warranty	29
Water	
tank.....	19

10 Contact information

Sweden (Head Office)

Heljesvägen 10
Box 187
SE-437 22 Lindome

Phone: +46 (0) 31 99 49 70
Fax: +46 (0) 31 99 48 70
E-mail: info@scanmaskin.se
Website: www.scanmaskin.se

Denmark

Torvegade 22
DK-7330 Brande

Phone: +45 97 18 00 58
Fax: +45 97 18 45 58
E-mail: info@scanmineral.dk
Website: www.scanmaskin.se

Norway

Postboks 6, Furuset
N-1001 Oslo
Tomtveien 12
N-2015 Leisund

Phone: +47 63 87 60 00
Fax: +47 63 87 60 01
E-mail: info@scanmaskin.no
Website: www.scanmaskin.se

Finland

Raudoittajantie 3 A
FIN-06450 Porvoo / Borgå

Phone: +358 19 57 55 001
Fax: +358 19 57 55 002
E-mail: info@scanmaskin.fi
Website: www.scanmaskin.fi

USA

1407 132nd Avenue Northeast, Suite 8
Bellevue, Washington, 98005

Phone: +1 425 628 1212
E-mail: info@scanmaskin.com
Website: www.scanmaskin.com

