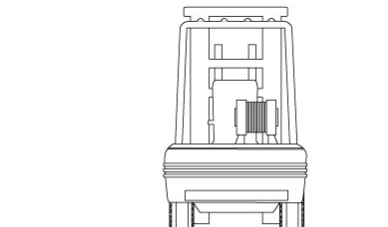
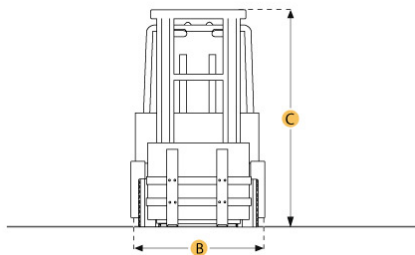
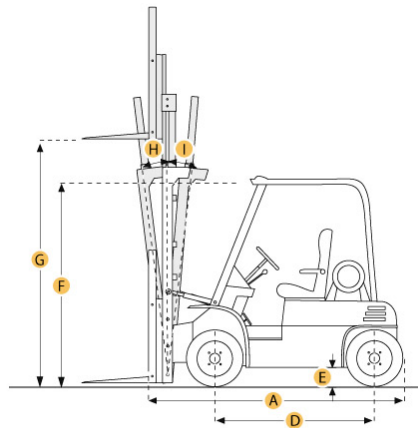


TOYOTA 8FGU30 FORKLIFT



Dimensions

A. LENGTH TO FORK FACE	9.2 ft in	2794 mm
B. OVERALL WIDTH	4.1 ft in	1239.5 mm
C. OVERALL HEIGHT - MAST LOWERED	7.1 ft in	2171.7 mm



TOYOTA 8FGU30 FORKLIFT

Specification

Engine		
POWER	51 hp	38 kw

Operational

TIRE TYPE	Pneumatic	
NUMBER OF FRONT WHEELS	2	
NUMBER OF REAR WHEELS	2	
MAX SPEED	11.2 mph	18 km/h

MAST

LOAD CAPACITY	6000 lb	2721.6 kg
LIFT SPEED	100 ft/min	m/min

Dimensions

LENGTH TO FORK FACE	9.2 ft in	2794 mm
OVERALL WIDTH	4.1 ft in	1239.5 mm
OVERALL HEIGHT - MAST LOWERED	7.1 ft in	2171.7 mm
TURNING RADIUS	7.7 ft in	2349.5 mm
RIGHT ANGLE STACK	9.3 ft in	2829.6 mm